

865  
866

# 865•866

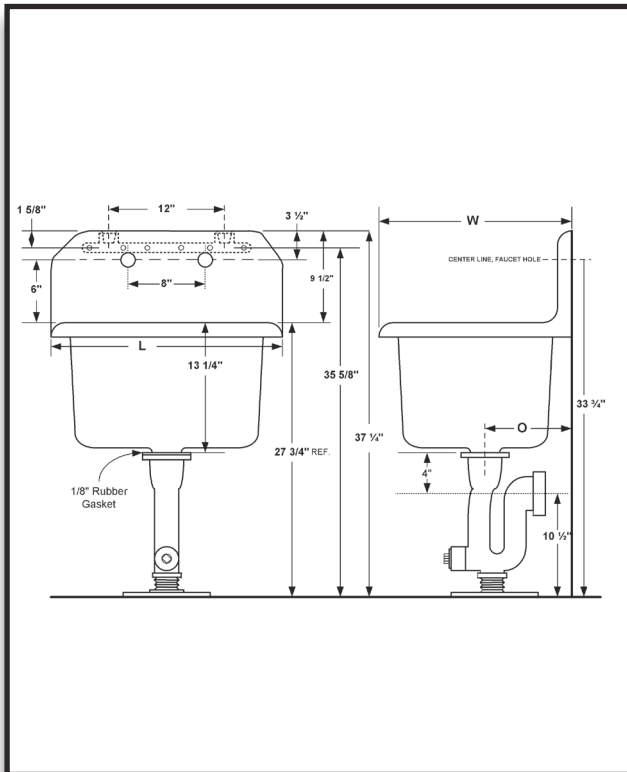
Service Sink  
Wall Hung Installation  
Includes Hanger

Drilled for and includes  
stainless steel rim guard

Accessories (Sold Separately)  
870 2" and 3" Trap Standard



865•866



Cat. No.	Size	Specs			Ship Wt.
		L	W	O	
865	22" x 18"	22"	18"	9"	90 lbs.
866	24" x 20"	24"	20"	10"	109 lbs.

ACID RESISTANT ENAMEL ON CAST IRON



1310 E. Borchard Ave. • Santa Ana, CA 92705 • P 714.656.1950 • F 714.656.1969  
www.cecossinks.com