

# 1008-1

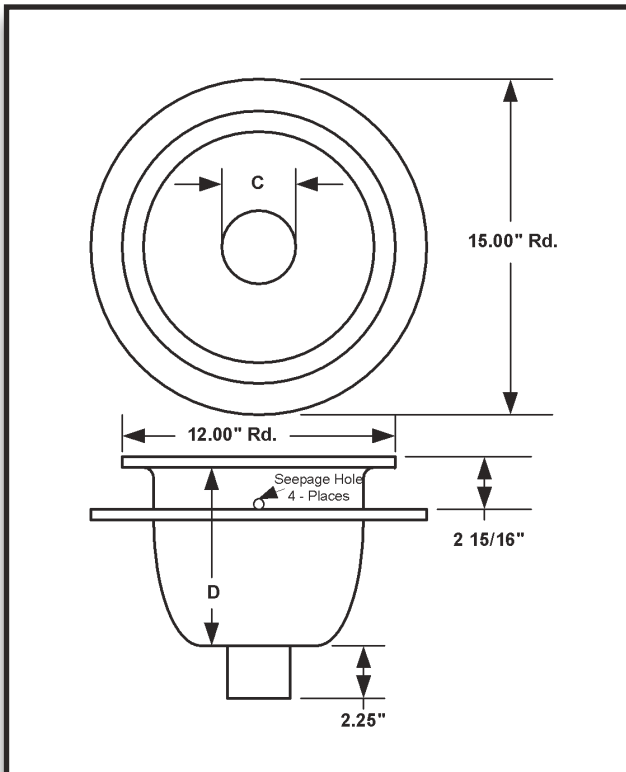
12" Round Floor Sink with Seepage Flange\*

Acid Resistant Enamel on Cast Iron  
Includes Dome Strainer

Available in Caulk & No Hub  
2", 3" and 4" Outlet

Accessories (Sold Separately)  
Plastic Sediment Bucket  
Top Grate

\*Flange Dimension 15" Diameter



Cat. No.	Size	Outlet			Ship Wt.
		C-ID	C-OD	D	
1008-1-2"	12" Round x 8	2 1/4"	2 5/8"	8"	35 lbs.
1008-1-3"	12" Round x 8	3 1/4"	3 5/8"	8"	35 lbs.
1008-1-4"	12" Round x 8	4 1/4"	4 5/8"	8"	35 lbs.